



# E-Lumen X- "Topaz" Series

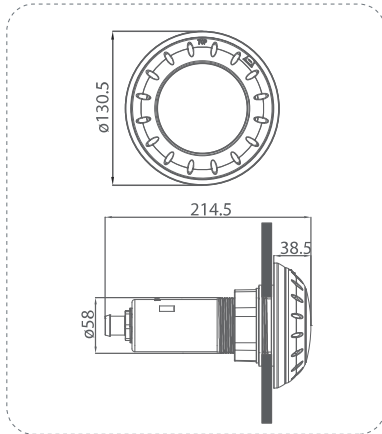
For concrete pools with niche, fiberglass pools, and vinyl liner pools installations

## SLIM FIT LED LIGHT FOR MULTI-INSTALLATION

TOPAZ is a compact and powerful 13W LED light. Its slim construction and multi-installation mechanisms allow it to be fitted into pools and spas of any dimensions, providing a superb lighting effect.

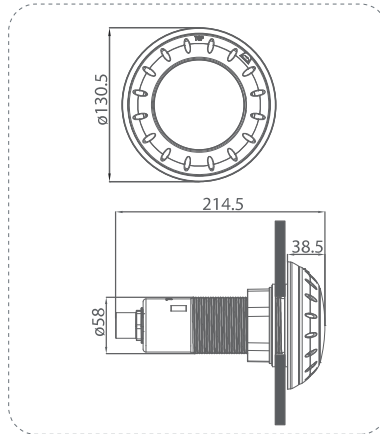


### Vinyl Pool



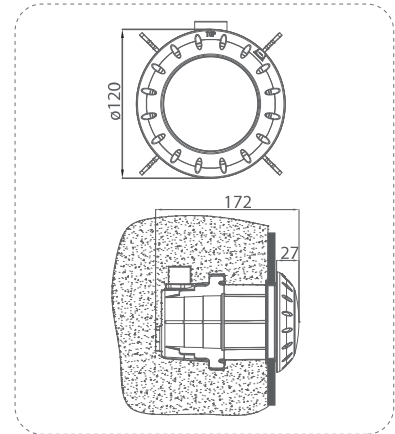
TOP13-VS

### Fiberglass Pool



TOP13-VL

### Concrete Pool

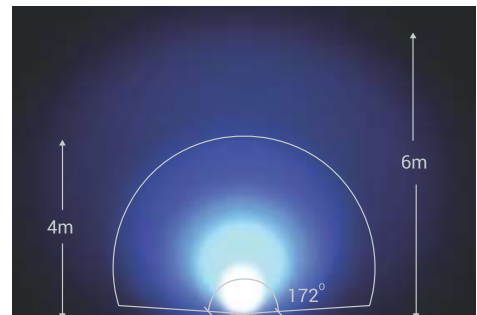


TOP13-C

### Product Information

TOPAZ light 12Vac 50/60Hz, Power cord length with retrofit connector: 2.5m

Code	Model	Maximum Power	illuminance (Lux)	Color Temperature
9042701	TOP13-C	13W	220 (Warm White)	3000K
9042702	TOP13-VL	13W		
9042703	TOP13-VS	13W	200 (Cool White)	6500K



Angle and distance of illumination



45 - 47 Paul Matthews Road, Albany Auckland New Zealand

Phone: (09) 4151499 Email: filtermaster@xtra.co.nz

Web: www.filtermaster.co.nz

**FULLY NEW ZEALAND OWNED AND OPERATED**